

DRIVEN TOOLING
For
CITIZEN



10139 BERGIN RD.
HOWELL, MI 48843
PHONE : 877-91-TOOLS (810-632-4446)
FAX: 877-92-TOOLS (810-632-4467)
EMAIL: info@mdtooling.com
WEBSITE: www.mdtooling.com

Live Tooling



M. T. Marchetti, a major live tool manufacturer in northern Italy, is a leader in live tool technology. The formula is simple. Use only the best angular contact high-speed bearings available. Add to this an exacting tolerances for all ground shafts, gears and bearing pocket features. Next, develop a sealed system that **will not** allow any contamination from chips or coolant.

Top this all off with a superior design and you end up with a live tool that is more rigid, faster and will last longer. **We back this up with a 2-Year factory warranty.**

Our Live Tool Warranty

Our tooling will give years of service in the most demanding applications. The superior design and rugged construction has proven this over the last 12 years. The reliability of our tools allows us to provide a 2-year factory warranty, for non-wear components.

MD Tooling will repair any defective tool holders for a period of 2 years from the date of purchase.

Product Range

We have the largest range of live tooling available for most major machine tool manufactures.

Our available products include an extensive line of standard live tooling as well as specialty tool holders such as 0-180 adjustable angle tool holders, gear hobbors, and even worm gear generators. Our product range includes geared up holders to 60,000 RPM and are engineered for 1,000 PSI coolant through.

We are an industry leader in providing complete tooling solutions with hundreds of static tool options as well.

Technical Support

Here at MD Tooling we have a full technical support department with over 35 years of CNC experience.

Our highly qualified staff can help with part processing, tooling up a job from a blue print and even assist with part programming. Applications Engineers are always available by phone to answer any questions you may have about our tooling or any other CNC related issue.

Stock and Replenishment

MD Tooling maintains an extensive inventory of tooling in our warehouse in Michigan. Our current "fill" rate on orders is 93% from our stock in Michigan for same day shipping.

Should you require a non-stock item, our manufacturer, M.T. Marchetti also maintains a large inventory in Italy. Tooling can be obtained in as little as 3-5 business days.

Shipping

MD Tooling realizes that when you need tooling, often you can't wait until the next day. We process orders and ship from available stock right up until 4PM EST to make certain we get your tooling solutions to you as quickly as possible.

We regularly ship throughout the day via UPS, FedEx or any other carrier that a customer requests.



10139 Bergin Road
Howell, MI 48843
Phone: (810) 632-4446
Fax: (810) 632-4467
Email: info@mdtooling.com
Web: www.mdtooling.com

- Fast, Friendly, Reliable Service!
- Quality tooling at highly competitive pricing.
- 2-Year Warranty on all live tools.
- Extensive inventory. We currently ship over 93% of all orders same day.
- In-house repair services available.
- If a warranty tool needs to be returned for inspection, service or repair, loaner tools are available to keep your machine tool production up and running.
- More specialty tool holders than any other manufacturer.
- Custom tool holders available.
- All available tooling may not be shown in this catalog. If you can't find the holder you're looking for, please contact our office for assistance.



Table of Contents

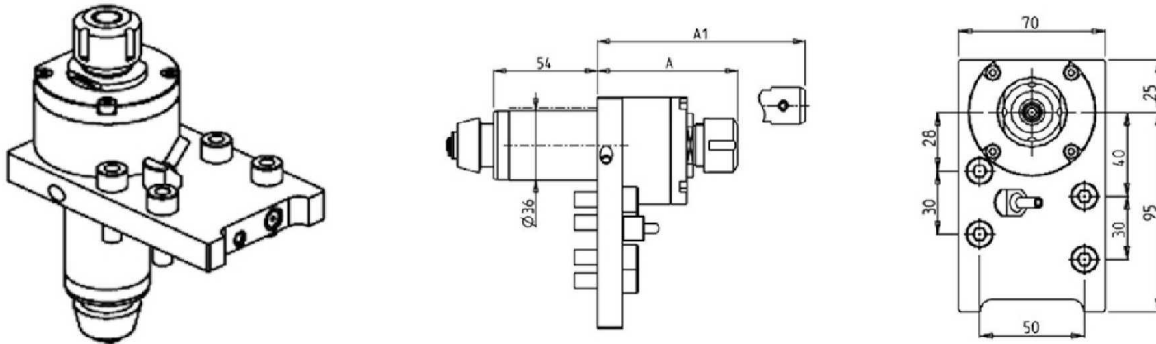
Categorized Listing

| | |
|------------------------------------------------|----------|
| M20 - M32 | 1 |
| DRIVEN | 1 |
| AXIAL DRIVEN TOOL | 1 |
| AXIAL GEARED-UP 1:3 TWIN HEAD DRIVEN TOOL IN Y | 1 |
| RADIAL DRIVEN TOOL | 2 |
| 0-90° ADJUSTABLE ANGLE DRIVEN TOOL | 3 |
| DRIVEN WHIRLING TOOL GEARED-DOWN 2:1 | 3 |

M20 - M32

DRIVEN

AXIAL DRIVEN TOOL



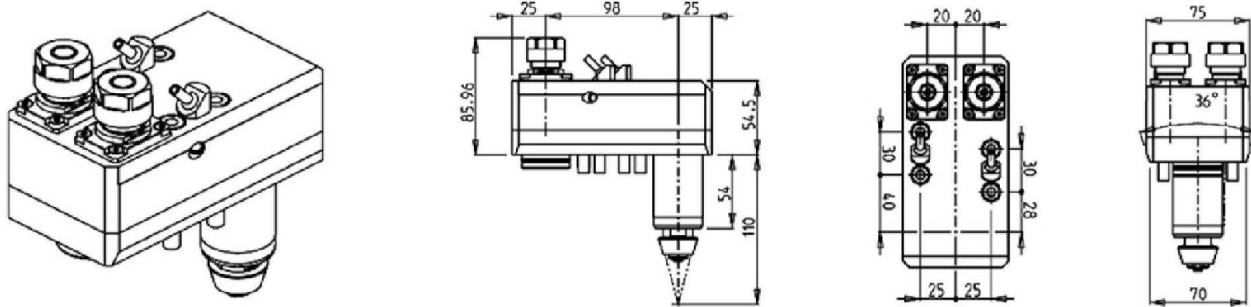
| Part Number | Description | Spindle | I | RPM | Reversible | Cool Thru | Ext Cool | A | A1 | Price |
|-------------|-----------------------------------|-----------|-----|------|------------|-----------|----------|----|------|---------|
| CTZ0020116 | Axial Driven Tool ER16 | ER16 | 1:1 | 6000 | X | | X | 73 | | \$2,695 |
| CTZ0020216 | Axial Driven Tool ER16 Cool Thru* | ER16 | 1:1 | 6000 | X | X | X | 73 | | \$3,495 |
| CTZ0020710 | Axial Driven Tool Weldon 10 | Weldon 10 | 1:1 | 6000 | X | | X | | 62.7 | \$2,895 |

* Coolant Thru tools are designed for 1000 psi.
They require 5 Micron Filtration and **CANNOT** be run dry.

Note :

Wrenches are provided with the purchase of Specialty Toolholders

AXIAL GEARED-UP 1:3 TWIN HEAD DRIVEN TOOL IN Y



| Part Number | Description | Spindle | I | RPM | Reversible | Ext Cool | Price |
|-------------|-----------------------------------------|---------|-----|-------|------------|----------|---------|
| CTZ0050216 | Axial Geared-Up 1:3 Twin Head in Y ER16 | ER16 | 1:3 | 18000 | X | X | \$6,295 |

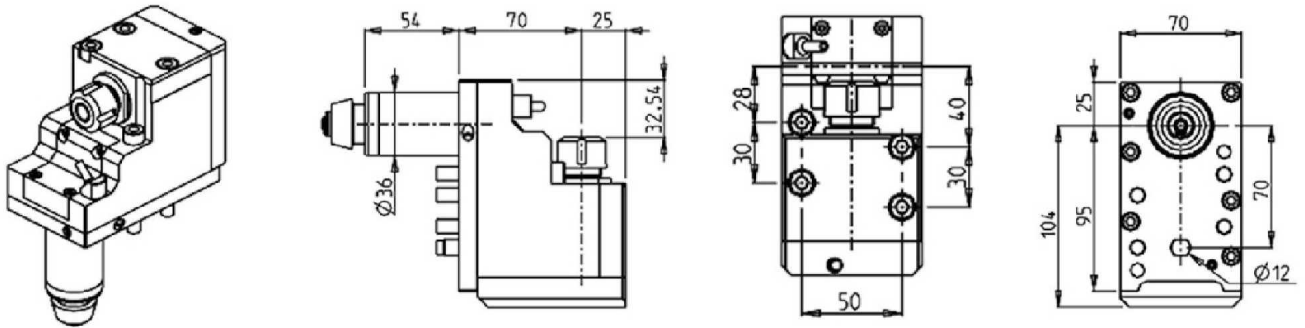
Note :

Wrenches are provided with the purchase of Specialty Toolholders

M20 - M32

DRIVEN

RADIAL DRIVEN TOOL



| Part Number | Description | Spindle | I | RPM | Reversible | Cool Thru | Ext Cool | Price |
|-------------|------------------------------------|---------|-----|------|------------|-----------|----------|---------|
| CTZ0010116 | Radial Driven Tool ER16 | ER16 | 1:1 | 6000 | X | | X | \$4,495 |
| CTZ0010216 | Radial Driven Tool ER16 Cool Thru* | ER16 | 1:1 | 6000 | X | X | X | \$4,795 |

* Coolant Thru tools are designed for 1000 psi.
They require 5 Micron Filtration and **CANNOT** be run dry.

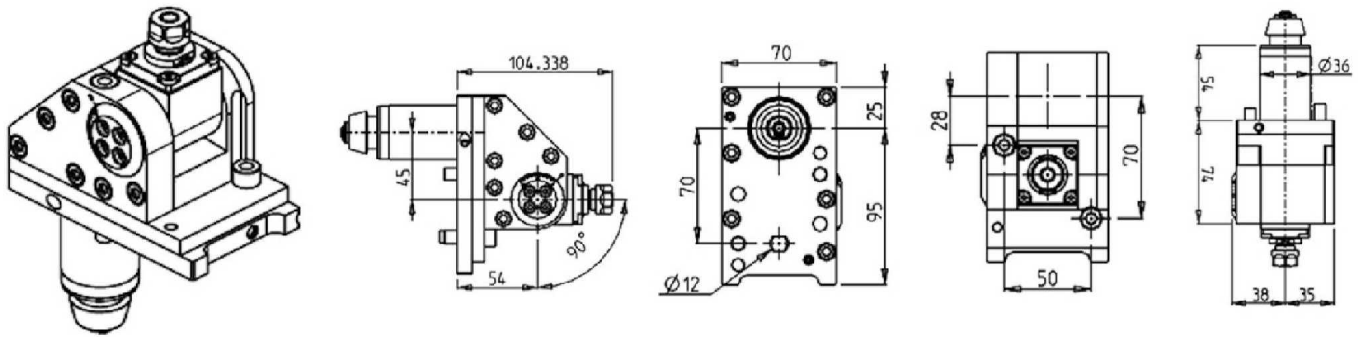
Note :

Wrenches are provided with the purchase of Specialty Toolholders

M20 - M32

DRIVEN

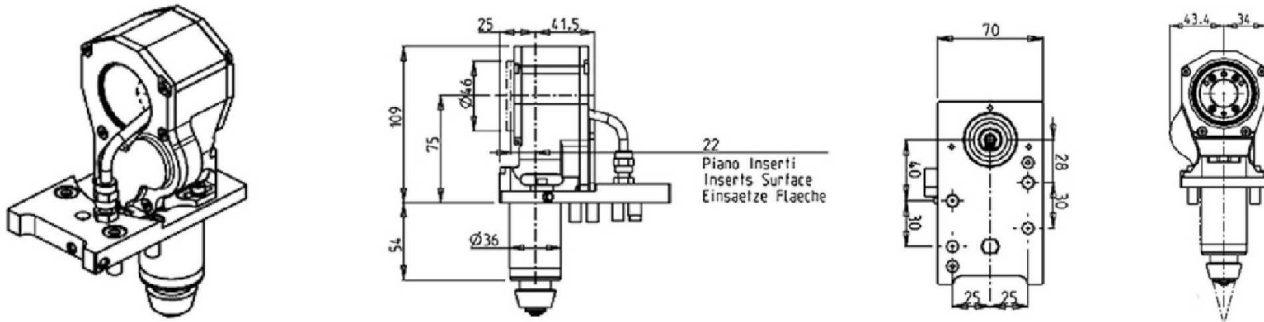
0-90° ADJUSTABLE ANGLE DRIVEN TOOL



| Part Number | Description | Spindle | I | RPM | Reversible | Ext Cool | Price |
|-------------|-----------------------------|---------|-----|------|------------|----------|---------|
| CTZ0030111 | 0-90° Adjustable Angle ER11 | ER11 | 1:1 | 6000 | X | X | \$6,595 |

Note : Wrenches are provided with the purchase of Specialty Toolholders

DRIVEN WHIRLING TOOL GEARED-DOWN 2:1



| Part Number | Description | I | RPM | Ext Cool | Price |
|-------------|--------------------------------------|-----|------|----------|----------|
| CTZ0040112 | Driven Whirling Tool Geared-Down 2:1 | 2:1 | 3000 | X | \$10,995 |

*** MILLING-CUTTER NOT INCLUDED***

ER COLLETS

| ER COLLET NUMBER | DESCRIPTION | MD LIST PRICE |
|------------------|-------------------------------------|---------------|
| ER20 SET | ER20 Collet Set (15 Collets) | \$ 330.00 |
| ERX20 SET | ER20 Sealed Collet Set (13 Collets) | \$ 395.00 |
| ER25 SET | ER25 Collet Set (19 Collets) | \$ 375.00 |
| ERX25 SET | ER25 Sealed Collet Set (17 Collets) | \$ 475.00 |
| ER32 SET | ER32 Collet Set (21 Collets) | \$ 425.00 |
| ERX32 SET | ER32 Sealed Collet Set (21 Collets) | \$ 595.00 |
| ER40 SET | ER40 Collet Set (29 Collets) | \$ 695.00 |
| ERX40 SET | ER40 Sealed Collet Set (27 Collets) | \$ 850.00 |



Phone: (810) 632-4446 / Fax: (810) 632-4467



Instruction Manuals

0-180° ADJUSTABLE ANGLE DRIVEN



ADJUSTABLE ANGLE DRIVEN TOOL



AXIAL ADJUSTABLE ANGLE DRIVEN



BROACHING/SLOTING DRIVEN TOOL



CAPTO DRIVEN TOOL



DRIVEN GEAR HOBBER (BIG SIZE)



DRIVEN GEAR HOBBER (BIGGEST SIZE)



DRIVEN GEAR HOBBER (SMALL SIZE)





Instruction Manuals

DRIVEN GEAR HOBBER (STANDARD)



DRIVEN MILLING HEAD



DRIVEN POLYGON-CUTTING TOOL



DRIVEN STEADY REST WITH FEEDBACK



DRIVEN STEADY REST WITH FEEDBACK (2)



DRIVEN STEADY REST MODULE



DRIVEN STEADY REST MODULE



DRIVEN TOOLHOLDER ADAPTOR





Instruction Manuals

DRIVEN TOOL FOR ENDLESS SCREW



DRIVEN TOOLHOLDER



DRIVEN WHIRLING TOOLHOLDER



GEARED-UP DRIVEN TOOL



MTSK DRIVEN TOOLHOLDER



RADIAL DRIVEN GEAR HOBBER



POWER SKIVING DRIVEN TOOL



RADIAL INVERTED DRIVEN TOOL





Instruction Manuals

RADIAL MULTIPLE OUTPUT DRIVEN



RADIAL REDIRECTED ADJUSTABLE ANGLE



(SWISS TYPE) DRIVEN GEAR HOBBER



(SWISS TYPE) RADIAL DRIVEN TOOL



TOUCH PROBE SHIELD TOOLHOLDER





Instruction Manuals

BLADE HOLDER



BORING BAR HOLDER



CAPTO STATIC TOOL



STATIC TOOLHOLDER



TAILSTOCK FOR SUBSPINDLE



Table of Contents

Alphabetized Listing

| | | |
|----------|------------------------------------------------|-----|
| O | | |
| | 0-90° ADJUSTABLE ANGLE DRIVEN TOOL | 3 |
| A | | |
| | AXIAL DRIVEN TOOL | 1 |
| | AXIAL GEARED-UP 1:3 TWIN HEAD DRIVEN TOOL IN Y | 1 |
| D | | |
| | DRIVEN | 1-3 |
| | DRIVEN WHIRLING TOOL GEARED-DOWN 2:1 | 3 |
| M | | |
| | M20 - M32 | 1-3 |
| R | | |
| | RADIAL DRIVEN TOOL | 2 |

Table of Contents

Part Number Index

C

| | | |
|------------|-----------------------------------------|---|
| CTZ0010116 | Radial Driven Tool ER16 | 2 |
| CTZ0010216 | Radial Driven Tool ER16 Cool Thru* | 2 |
| CTZ0020116 | Axial Driven Tool ER16 | 1 |
| CTZ0020216 | Axial Driven Tool ER16 Cool Thru* | 1 |
| CTZ0020710 | Axial Driven Tool Weldon 10 | 1 |
| CTZ0030111 | 0-90° Adjustable Angle ER11 | 3 |
| CTZ0040112 | Driven Whirling Tool Geared-Down 2:1 | 3 |
| CTZ0050216 | Axial Geared-Up 1:3 Twin Head in Y ER16 | 1 |