

KONTEC KSC3 and VERO-S NSL3



## Maximize your skilled worker's time with efficient workholding

Learn how the VERO-S system has helped others with:

- Simplifying set-up
- Faster change-over
- Maximizing efficiency



Take advantage of the  
**NEW KONTEC / VERO-S**  
promotions  
see inside for details

Please use promo code **KSC2025**  
Promotion ends September 30, 2025

Hand in hand for tomorrow



Productivity Inc®

**TOOLING & ACCESSORIES**

[www.productivity.com](http://www.productivity.com)

**MINNESOTA**  
(763) 476-4196

**NEBRASKA**  
(402) 330-2323

**IOWA**  
(319) 734-3409

**DENVER**  
(303) 757-2093

**SALT LAKE CITY**  
(801) 521-1716

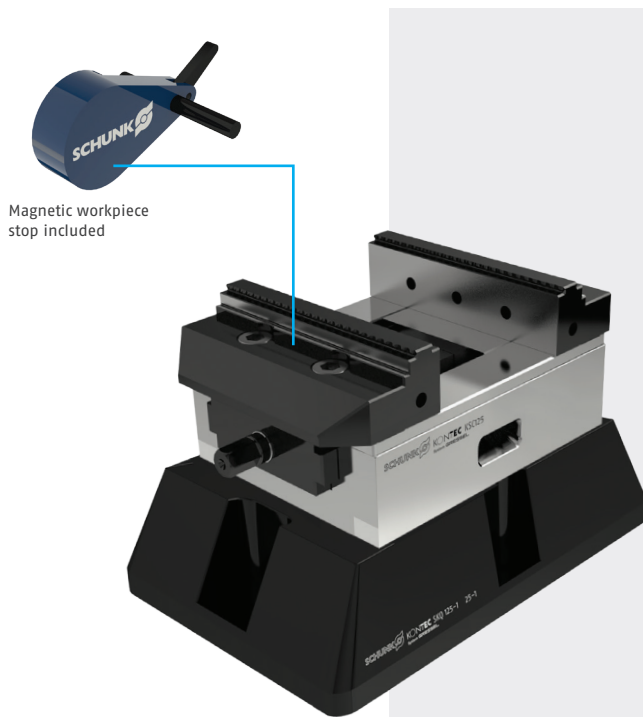
# VERO-S The largest modular workholding system in the world

2 Great promotions to fit every shop

## KONTEC KSC3 125-160 grip with riser

Experience the performance of SCHUNK workholding that bolts directly to your table

### KSC3 Rigid and precise clamping



### The most widely used self-centering vise

The KSC3 vise and riser simple and effective clamping that bolts to your t-slot table.

- Zero backlash, sealed ball-bearing spindle
- With reversible grip jaws
- Durable nickel-plated base body

#### Package Includes:

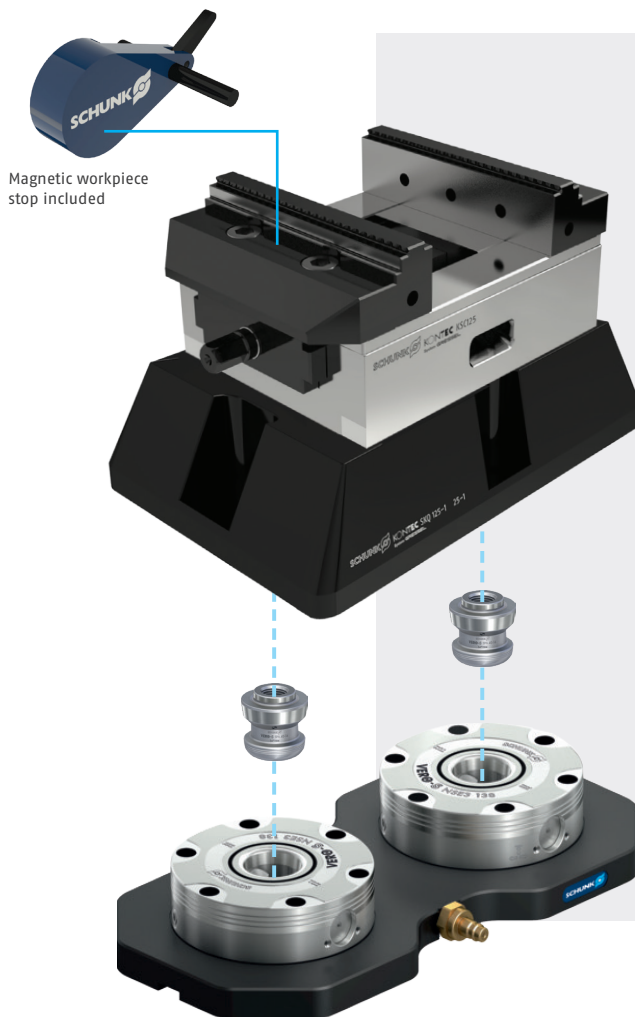
- (1) 1514238 KONTEC KSC3 Grip 125-160, (grip jaws included)
- (1) 1363520 5-axis riser

**Promotion Price: \$2386**  
**Part #: 1619042**

# VERO-S NSL3 200 & KONTEC KSC3 125-160 grip with riser

Maximize your skilled worker's time with efficient workholding

## Indicate your workholding for the last time with VERO-S



### The industries most trusted quick-change system

The VERO-S NSL3 200 is designed to mount directly to your t-slot table, and workholding already compatible with the VERO-S

- Air open spring clamp
- High-precision 0.005mm repeatability
- Sealed and corrosion free NSE3 138 modules

#### Package Includes:

- (1) 1514238 KONTEC KSC3 Grip 125-160, (grip jaws included), (1) 1363520 5-axis riser
- (1) 1323569 VERO-S NSL3 200, Including clamping pins (1) 471151 SPA40, (1) 471152 SPB40

**Promotion Price: \$5847**  
**Part #: 1619043**



US Headquarters  
211 Kitty Hawk Drive  
Morrisville, NC 27560  
Tel. +1-919-572-2705  
[info@us.schunk.com](mailto:info@us.schunk.com)

Houston Tech &  
Service Center  
10757 Cutten Road  
Building 6  
Houston, TX 77066

Follow us

